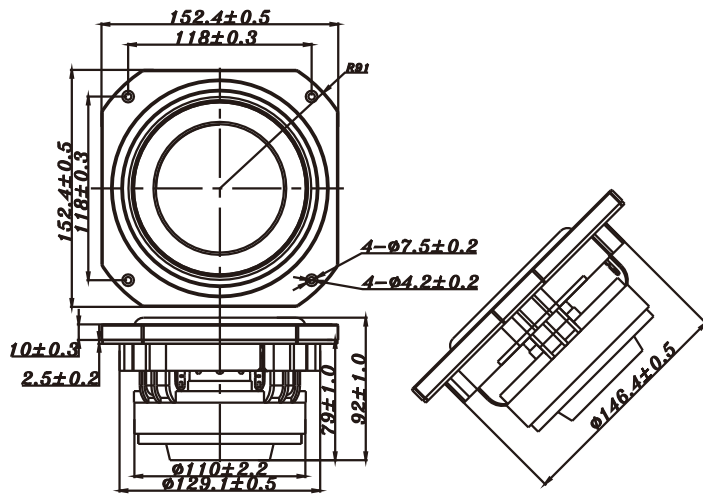


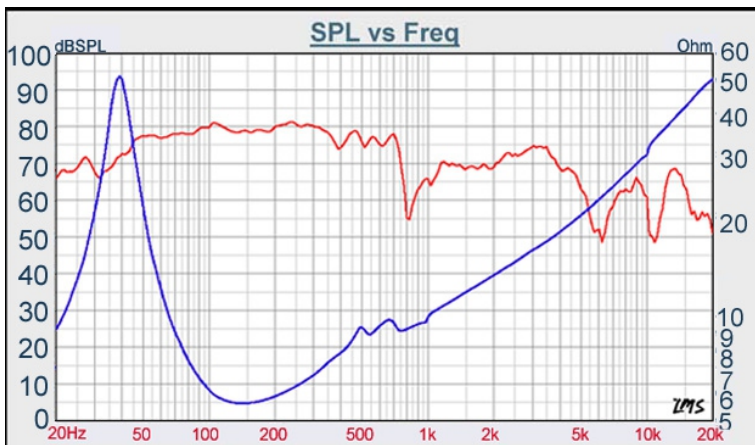
# SU SERIES

# W5-2053



- UNIQUE, PATENTED SUSPENSION SYSTEM PROVIDES EXTREMELY LINEAR EXCURSION
- HIGH POWER HANDLING DESIGN,  $X_{max} = 8\text{mm}$
- LIGHT WEIGHT AND HIGH STIFFNESS OF FLAT COMPOSITE CONE BODY
- GF REINFORCED NYLON BASKET
- EXTREMELY LOW DISTORTION (THD), EVEN  $<100\text{Hz}$ .
- GOOD FOR WOOFER OR SUBWOOFER APPLICATION

## 5" PP+Mica SUBWOOFER



DIAPHRAGM MTL	PP+Mica
SURROUND MTL	Santoprene
NOMINAL IMPEDANCE	4 $\Omega$
DCR IMPEDANCE	3.6 $\Omega$
SENSITIVITY 1W/1m	80 dB
FREQUENCY RESPONSE	35 - 800 Hz
FREE AIR RESONANCE	35 Hz
VOICE COIL DIAMETER	38.5 mm
AIR GAP HEIGHT	6 mm
RATED POWER INPUT	40 W
MAXIMUM POWER INPUT	80 W
FORCE FACTOR, BL	9.31 TM
TYPE OF MAGNET	Meodymium
MOVING MASS	39.92 g
FERROFLUID ENHANCED	No
SUSPENSION COMPLIANCE	484.85 $\mu\text{MN}^{-1}$
EFFECTIVE PISTON AREA	0.0075 $\text{M}^2$
Levc	0.199 mH
Zo	50 ohm
X-max	8 mm
Vas	3.87 Litr
Qts	0.33
Qms	4.70
Qes	0.36

**TB SPEAKERS**

VOICE:886.2.26570282 FAX:886.2.26580166  
E-MAIL :info@tb-speaker.com