

Hardware

- 28/56bit DSP Engine
- 24-bit ADC/DAC conversion
- 48kHz sampling rate
- Nichicon Muse Audiophile caps
- Gold plated RCA connectors

Audio Processing Algorithms

- Upgradeable firmware
- Low/High pass/Shelf filters
- Graphic & Parametric equalizers
- Matrix mixer
- Level, Mute, polarity
- RMS Meters for inputs/outputs

Control

- Configurable software
- Plug&Play USB driver
- WinXP/Vista/7 compatible
- Mac OS X Intel Core compatible

Power

- USB powered
- DC input option on terminal block (4.5 ~ 24VDC)

Applications

- Digital room correction
- Digital crossover
- Car audio signal processing
- Musical effects
- DIY Audio projects
- Custom Pro Audio projects

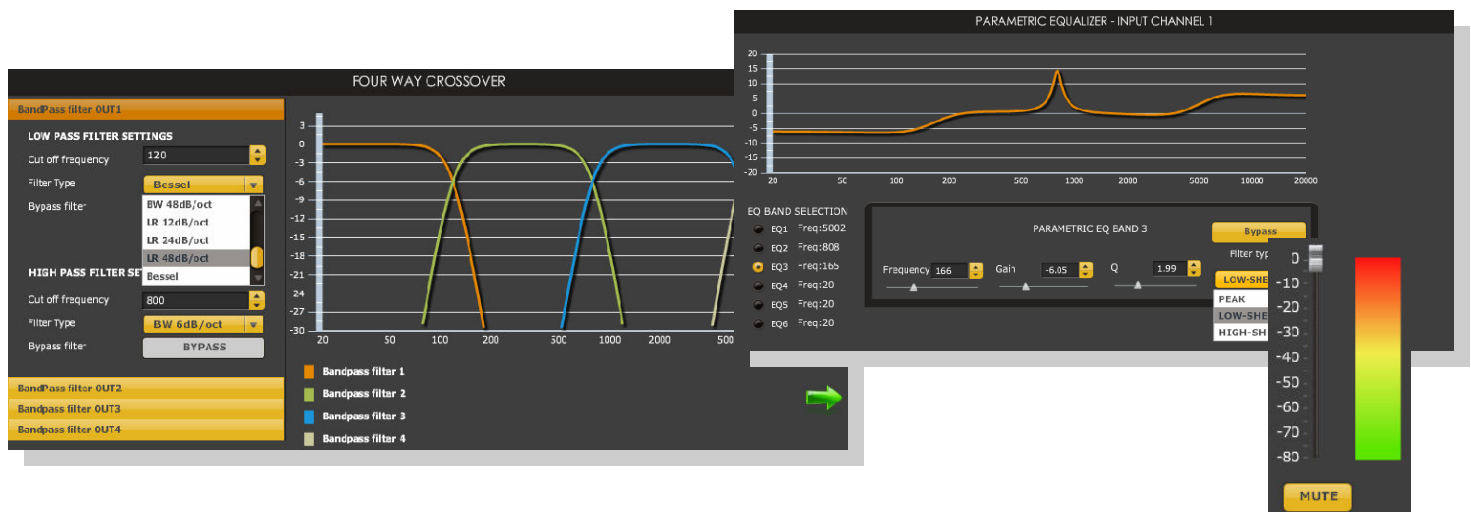


miniDSP is a new product concept for digital audio signal processing applications: low cost, low power and great sound in a tiny form factor. With our revolutionary "one platform, many configuration" concept, miniDSP gives un-paralleled flexibility to engineers, A/V designers and DIYers at a fraction of the cost of typical alternatives. May it be a source mixer, a multi-way digital crossover or a custom filter digital signal processor, it'll be up to your imagination to use it the way you see fit.

At miniDSP, we believe that great sound doesn't have to come at a great price. With graphic equalizers, mixers, crossovers, wide range of low pass high pass filters, dynamic range control, RMS meters etc.; we packed it all up in a tiny package with the ability to upgrade firmware with a click of a mouse. No design shortcuts were made with our low noise electronic and double precision audio algorithms. All these uncompromising features play a great role in making sure our kits stand out in sound quality.

miniDSP: your pocket size DSP Engine of choice

SCREENSHOTS OF MINIDSP CONFIGURATION TOOLS



HARDWARE TECHNICAL SPECIFICATIONS

Item	Description
Digital Signal Processor Engine	28/56 bit Digital Signal Processor Engine / Double precision processing
Host Processor	48MHz microcontroller
Sample rate	48kHz
ADC/DAC Data resolution	24 bits
Analog Audio Input	Unbalanced input, RCA terminated
Maximum input level <1% THD	0.9Vrms (Reva) or 2Vrms (Revb)
Dynamic range ADC, un-weighted	>98dB
Impedance	6Kohms
Analog Audio Output	Unbalanced input, RCA terminated
Maximum level, unbalanced, <1% THD	0.9Vrms (2.5Vpp)
Dynamic range DAC, un-weighted	>98dB
Impedance	560ohms
Certification	CE / FCC certified - ROHS compliant
Power supply	USB powered OR 5 ~24Vdc input via terminal block connector (Max 150mA @5V)
Dimensions (H x W x D)	75mm x 75mm

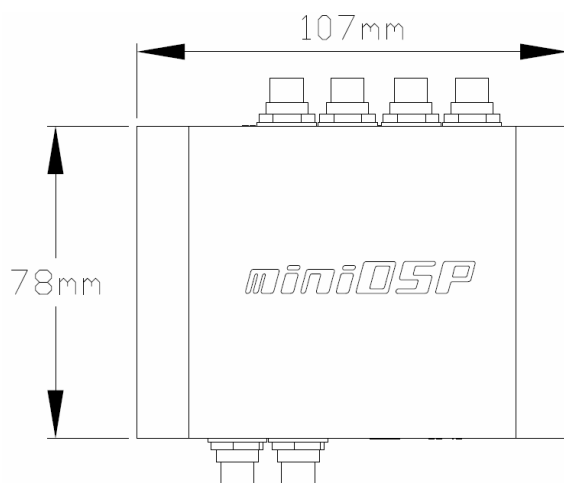
PLUG-INS

Currently available plug-ins include a wide range of selection from 2way/4way crossover to mixers. All plug-ins are MAC/Windows compatible. Please consult minidsp.com for a complete listing of plug-ins available on miniDSP platforms.

PRODUCT SKU

Item	Description
800-124A	miniDSP 2x4, boxed in aluminum enclosure, Revision A (max 0.9Vrms/ 2.5Vpp) input sensitivity
800-124B	miniDSP 2x4, boxed in aluminum enclosure, Revision B (max 2Vrms/5.6Vpp) input sensitivity

Mechanical Drawing



ODM and Contact Info

From system requirements, to design and implementation, DSP4YOU can partner with you to develop breakthrough AV products on time and on budget. Save cost and avoid headaches by leveraging our engineering experience and extensive manufacturing network in Southern China.

Contact our sales team for more information.



miniDSP, a DSP4YOU Ltd company
 17 Hung To Road, Unit 305
 Kwun Tong, Hong Kong
 Tel: +852 2358 2066
 Email: sales@minidsp.com