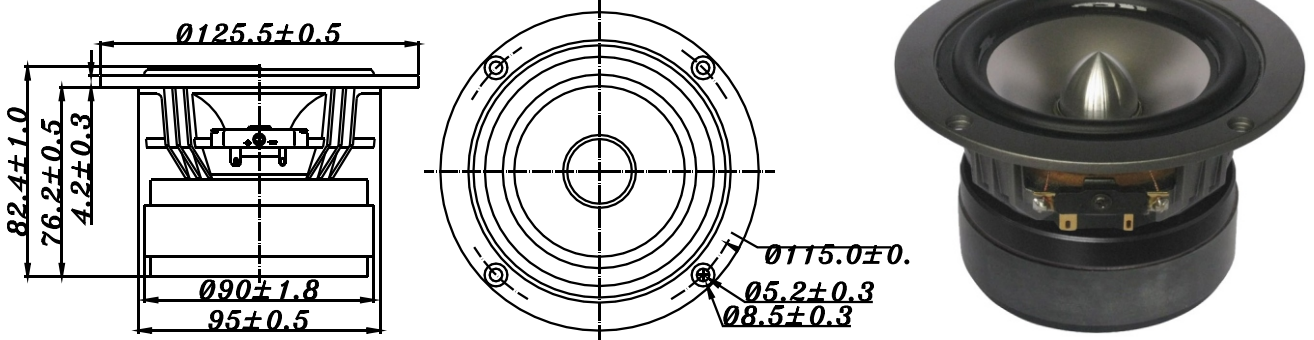


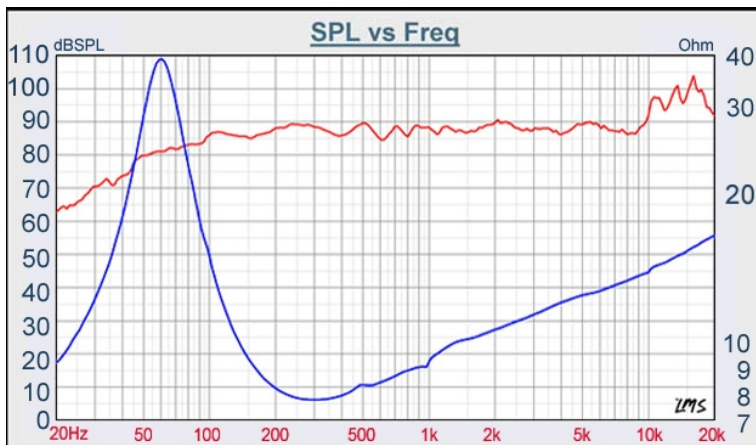
# F SERIES

# W4-1337SDF



- FULL RANGE FREQUENCY RESPONSE
- HIGH POWER LOADING DESIGN
- DIE CAST BASKET, TITANIUM COLOR PAINTED, VC VENTED DESIGN
- TITANIUM CONE WITH SANTOPRENE SURROUND
- UNDERHUNG MOTOR DESIGN
- LOW 2nd, 3rd DISTORTION DESIGN

## 4" TI FULL RANGE



DIAPHRAGM MTL	Titanium
SURROUND MTL	Rubber
NOMINAL IMPEDANCE	8 Ω
DCR IMPEDANCE	6.3 Ω
SENSITIVITY 1W/1M	87 dB
FREQUENCY RESPONSE	70 - 20K Hz
FREE AIR RESONANCE	70 Hz
VOICE COIL DIAMETER	25.4 mm
AIR GAP HEIGHT	10 mm
RATED POWER INPUT	25 W
MAXIMUM POWER INPUT	50 W
FORCE FACTOR, BL	4.91 TM
MAGNET WEIGHT (18.6 oz)	525 g
MOVING MASS	4.61 g
FERROFLUID ENHANCED	No
SUSPENSION COMPLIANCE	1490 μMN <sup>-1</sup>
EFFECTIVE PISTON AREA	0.0057 M <sup>2</sup>
Levc	0.025 mH
Zo	38 ohm
X-max	2.5 mm
Vas	6.87 Litr
Qts	0.39
Qms	2.42
Qes	0.46



VOICE: 886.2.26570282 FAX: 886.2.26580166  
E-MAIL: info@tb-speaker.com