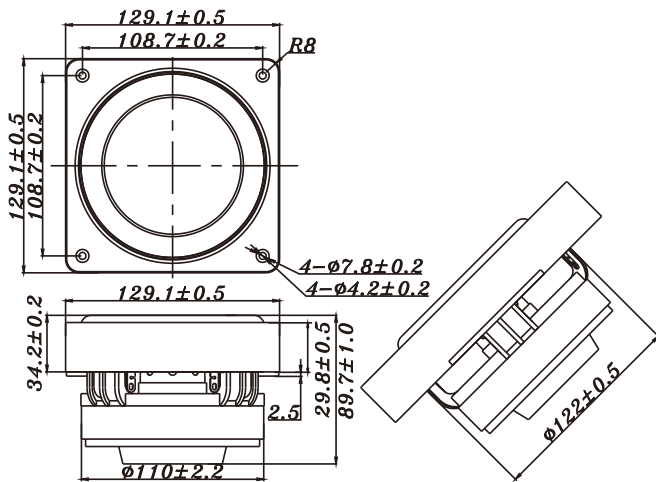


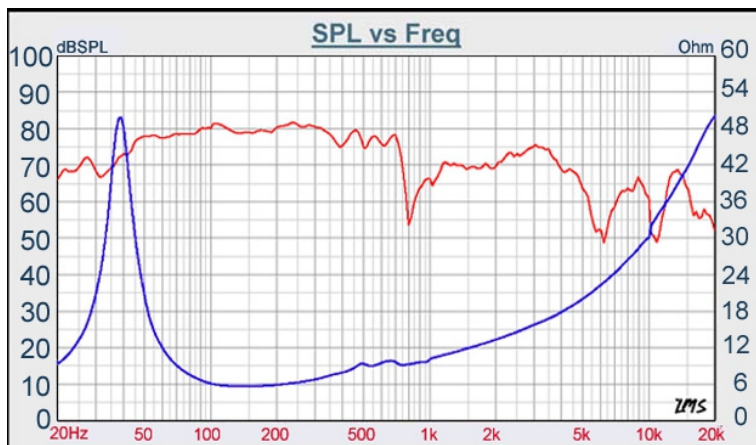
SU SERIES

W4-2089



- UNIQUE, PATENTED SUSPENSION SYSTEM PROVIDES EXTREMELY LINEAR EXCURSION
- HIGH POWER HANDLING DESIGN, $X_{max} = 8\text{mm}$
- LIGHT WEIGHT AND HIGH STIFFNESS OF FLAT COMPOSITE CONE BODY
- GF REINFORCED NYLON BASKET
- EXTREMELY LOW DISTORTION (THD), EVEN <100Hz.
- GOOD FOR WOOFER OR SUBWOOFER APPLICATION

4.5" PP+Mica SUBWOOFER



DIAPHRAGM MTL	PP+Mica
SURROUND MTL	Santoprene
NOMINAL IMPEDANCE	4 Ω
DCR IMPEDANCE	3.6 Ω
SENSITIVITY 1W/1m	80 dB
FREQUENCY RESPONSE	35 - 800 Hz
FREE AIR RESONANCE	35 Hz
VOICE COIL DIAMETER	38.5 mm
AIR GAP HEIGHT	6 mm
RATED POWER INPUT	40 W
MAXIMUM POWER INPUT	80 W
FORCE FACTOR, BL	9.24 TM
TYPE OF MAGNET	Meodymium
MOVING MASS	34.92 g
FERROFLUID ENHANCED	No
SUSPENSION COMPLIANCE	484.85 μMN^{-1}
EFFECTIVE PISTON AREA	0.0075 M^2
Levc	0.197 mH
Zo	50 ohm
X-max	8 mm
Vas	3.87 Litr
Qts	0.33
Qms	4.64
Qes	0.36



VOICE:886.2.26570282 FAX:886.2.26580166
E-MAIL :info@tb-speaker.com