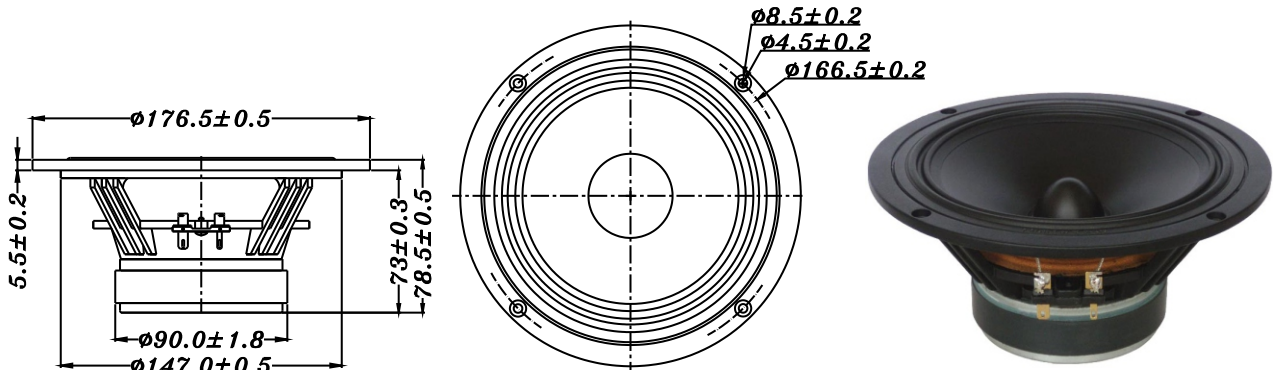


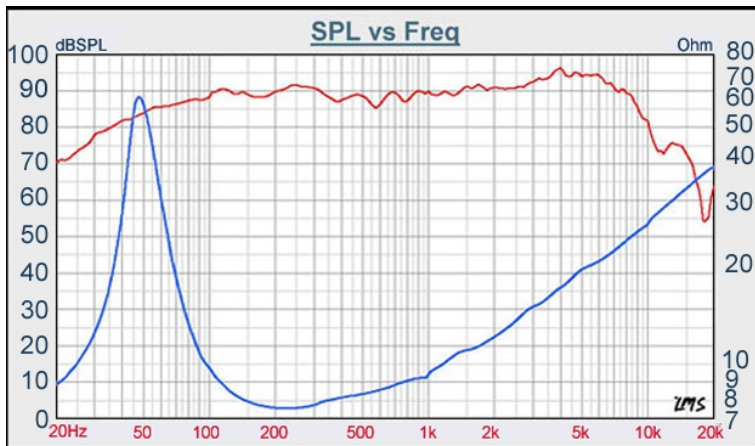
PM SERIES

W6-658I



- EXTREMELY LINEAR EXCURSION DESIGN
- PPM CONE WITH TWIN ROLL SHAPE RUBBER SURROUND
- DIE CAST BASKET, PPM PHASE PLUG
- INTENDED FOR BASS REFLEX ENCLOSURES
- VENTED POLE PIECE
- CCAW WITH KAPTON BOBBIN / CONEX SPIDER

6.5" PPM. WOOFER



DIAPHRAGM MTL	PPM
SURROUND MTL	Rubber
NOMINAL IMPEDANCE	8 Ω
DCR IMPEDANCE	6 Ω
SENSITIVITY 1W/1m	89 dB
FREQUENCY RESPONSE	45 - 10K Hz
FREE AIR RESONANCE	45 Hz
VOICE COIL DIAMETER	25.4 mm
AIR GAP HEIGHT	6 mm
RATED POWER INPUT	30 W
MAXIMUM POWER INPUT	60 W
FORCE FACTOR, BL	6.32 TM
TYPE OF MAGNET	Ferrite
MOVING MASS	10.98 g
FERROFLUID ENHANCED	No
SUSPENSION COMPLIANCE	1017 μMN^{-1}
EFFECTIVE PISTON AREA	0.014 M^2
Levc	0.118 mH
Zo	58 Ω
X-max	4.10 mm
Vas	28.31 Litr
Qts	0.44
Qms	4.49
Qes	0.49



VOICE:886.2.26570282 FAX:886.2.26580166
E-MAIL :info@tb-speaker.com