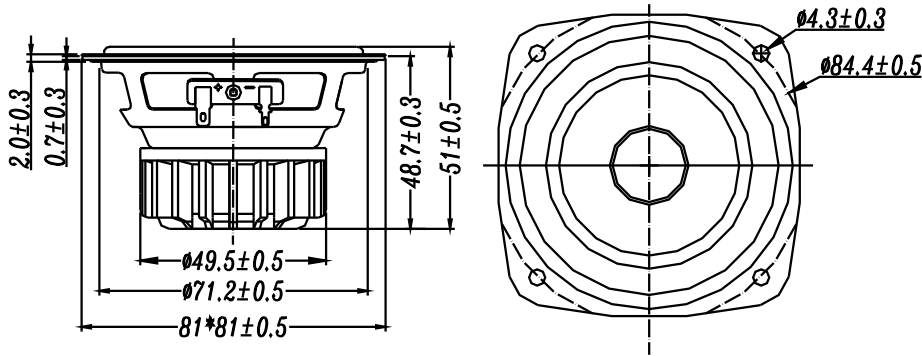


F SERIES

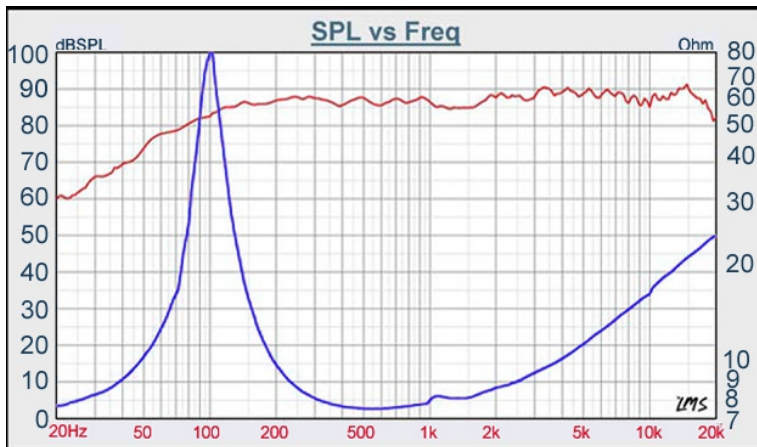
W3-1053SC



- FULL RANGE FREQUENCY RESPONSE
- STAMPED STEEL BASKET
- PP CONE WITH SANTOPRENE SURROUND
- NEODYMIUM MAGNET DESIGN
- MAGNETICALLY SHIELDED

3" PP CONE FULL RANGE

DIAPHRAGM MTL	Black PP
SURROUND MTL	Santoprene
NOMINAL IMPEDANCE	8 Ω
DCR IMPEDANCE	6 Ω
SENSITIVITY 1W/1m	87 dB
FREQUENCY RESPONSE	100 - 18 KHz
FREE AIR RESONANCE	100 Hz
VOICE COIL DIAMETER	20.4 mm
AIR GAP HEIGHT	4 mm
RATED POWER INPUT	15 W
MAXIMUM POWER INPUT	30 W
FORCE FACTOR, BL	3.71 TM
TYPE OF MAGNET	Neodymium
MOVING MASS	1.99 g
FERROFLUID ENHANCED	No
SUSPENSION COMPLIANCE	1215 μMN^{-1}
EFFECTIVE PISTON AREA	0.0032 M^2
Levc	0.071 mH
Zo	81 Ω
X-max	0.75 mm
Vas	1.77 Litr
Qts	0.52
Qms	7.20
Qes	0.56



TB SPEAKERS

VOICE 886.2.26570282 FAX 886.2.26580166
E-MAIL : INFO@TB-SPEAKER.COM